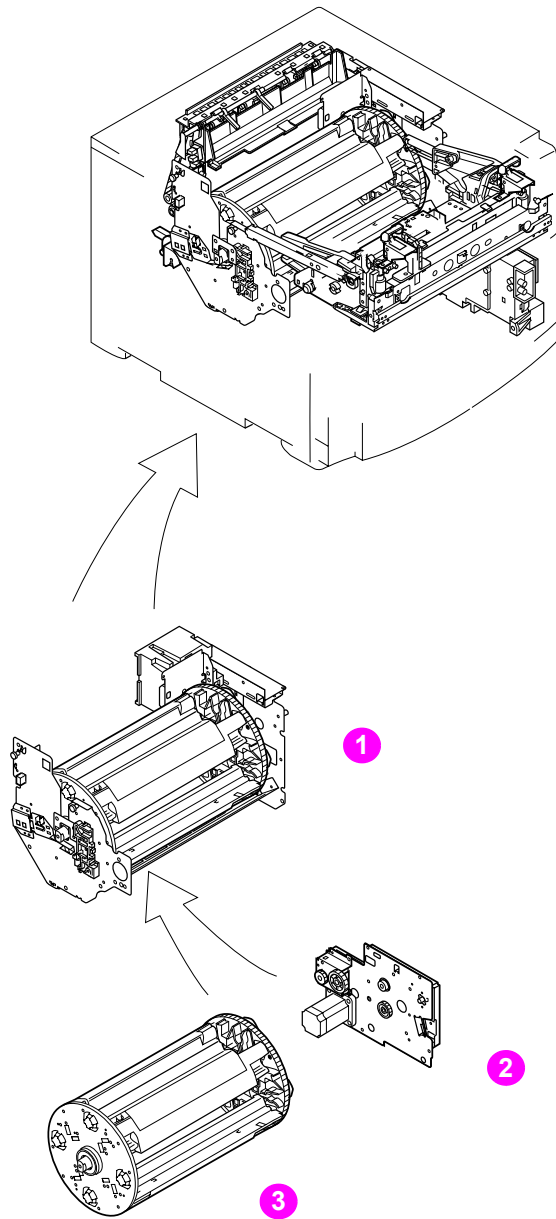


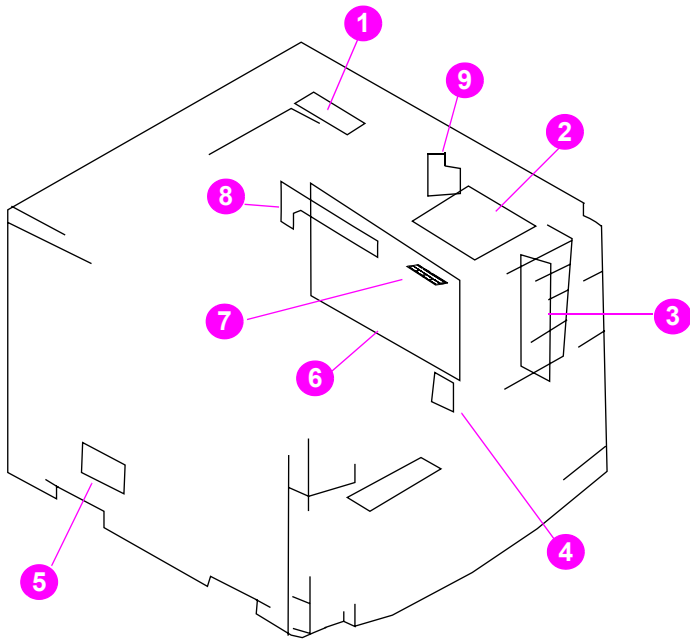
**Figure 8-1** Assembly location diagram (1 of 2)

- 1 Fuser assembly
- 2 Intermediate Transfer Belt assembly
- 3 Paper path and trans port
- 4 Feeder assembly
- 5 Transfer assembly



**Figure 8-2** Assembly location diagram (2 of 2)

- 1 Cartridge carousel and housing assembly
- 2 Carousel drive assembly
- 3 Toner cartridge carousel assembly



**Figure 8-3** PCB locations

**Table 8-3 PCB assembly**

Ref.	Description	Qty.	Parts for 4500 series s/n xxG... and below	Parts for 4500 series s/n xxH... and above	Parts for HP Color LaserJet 4550
1	Developing PCB	1	RG5-3811-000CN	RG5-5180-000CN	RG5-5180-000CN
2	DC controller PCB	1	RG5-3809-000CN	RG5-5254-000CN	RG5-5254-000CN
3	Interconnect PCB	1	RG5-3808-000CN	RG5-3808-000CN	RG5-3808-000CN
4	Paper size sensor PCB	1	RG5-3816-000CN	RG5-3816-000CN	RG5-3816-000CN
5	Paper feed PCB assembly	1	RG5-3810-000CN	RG5-3810-000CN	RG5-3810-000CN
6	Formatter PCB	1	C4084-69001*	C4084-69001*	C4227-69001*
7	Firmware DIMM	1	C4084-60004	C4084-60004	C9130-60001
8	I/O card	1	C4081-60001	C4081-60001	C4207-60001
9	Toner level sensor PCB	1	N/A	N/A	RG5-5247-000CN

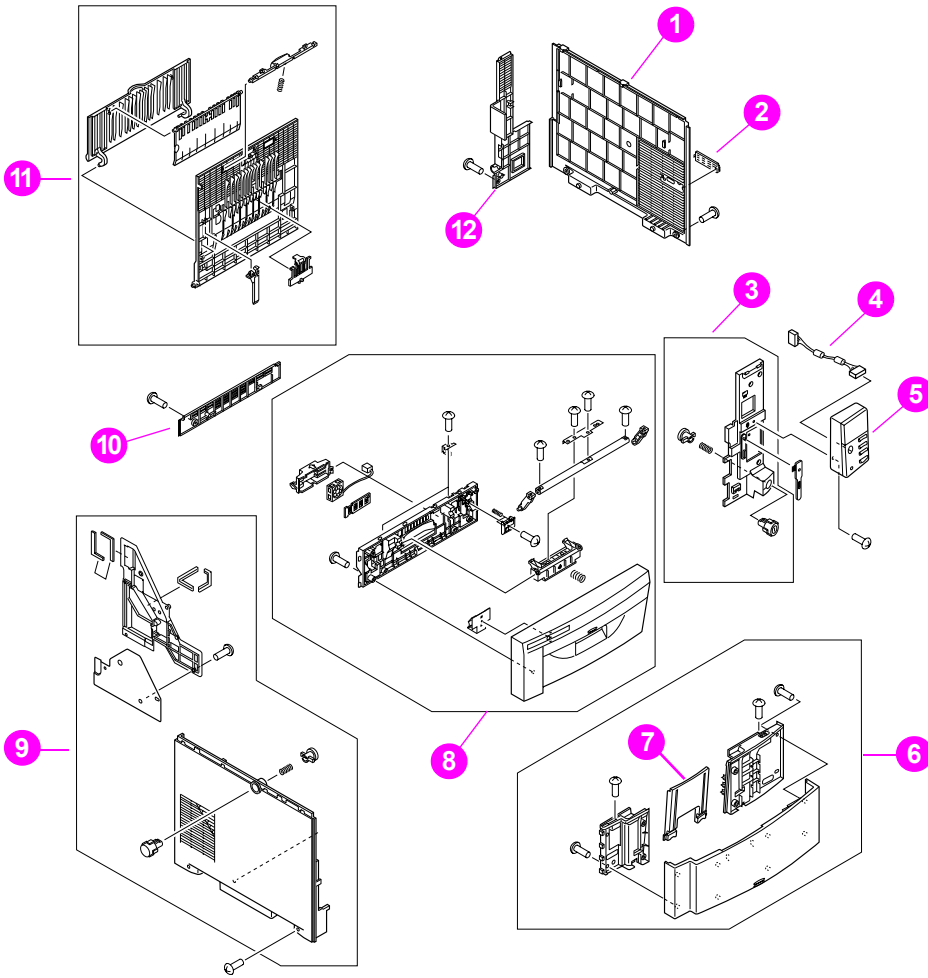
\*These parts require exchange

---

**CAUTION**


---

Two versions of the HP Color LaserJet 4500 series printers are available. Before ordering parts, you will need to identify which printer version you are servicing. For more information, see page 329. The 4550 series has some different service parts from the 4500 series.



**Figure 8-4** External covers, panels, etc.

**Table 8-4 Printer cover and door**

Ref.	Description	Qty.	Parts for 4500 series s/n xxG... and below	Parts for 4500 series s/n xxH... and above	Parts for 4550 series
1	Cover, right side	1	RB2-1203-000CN	RB2-1203-000CN	RB2-1203-000CN
2	Cover, connector	1	RB2-1224-000CN	RB2-1224-000CN	RB2-1224-000CN
3	Cover, right front	1	RG5-3310-000CN	RG5-3310-000CN	RG5-3310-000CN
4	Cable, control panel	1	RG5-3802-000CN	RG5-5195-000CN	RG5-5195-000CN
5	Control panel assembly	1	RG5-5200-000CN	RG5-5200-000CN	RG5-5200-000CN
6	Cover, ITB drawer	1	RG5-3320-000CN	RG5-3320-000CN	RG5-3320-000CN
7	Tray, extension	1	RB2-1215-000CN	RB2-1215-000CN	RB2-1215-000CN
8	Cover, drum drawer	1	RG5-5232-000CN**	RG5-5152-000CN	RG5-5152-000CN
9	Cover, left side	1	RG5-3313-000CN	RG5-5151-000CN	RG5-5151-000CN
10	Cover, lower rear	1	RB2-1206-000CN	RB2-1206-000CN	RB2-1206-000CN
11	Door, rear access	1	RG5-3325-040CN	RG5-3325-040CN	RG5-3325-040CN
12	Cover, rear	1	RB2-1205-000CN	RB2-1205-000CN	RB2-1205-000CN

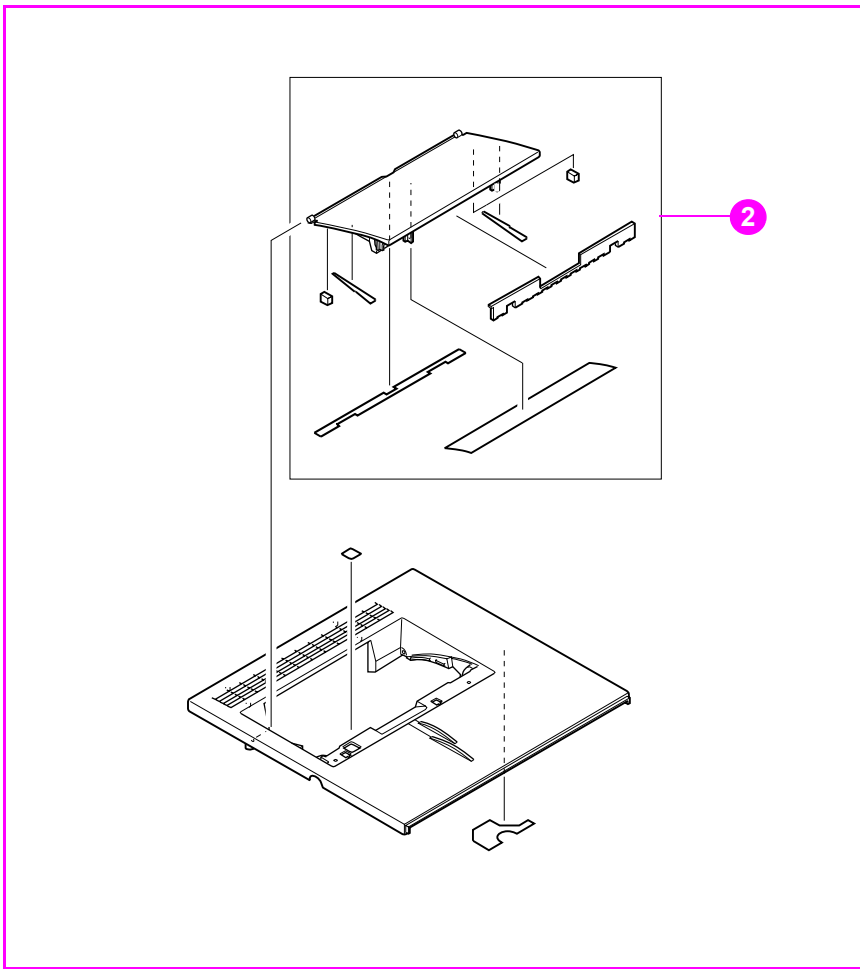
\*\*Refer to note, below.

**CAUTION**

Two versions of the HP Color LaserJet 4500 series printers are available. Before ordering parts, you will need to identify which printer version you are servicing. For more information, see page 329. The 4550 series has some different service parts from the 4500 series.

**Note**

Early CLJ4500 printers (serial numbers xxGxxxxxxx and below) have two versions of the drum drawer cover and the upper (drum) drawer assembly (Figure 8-7, item 6 and Figure 8-13, item 1). If the drum drawer cover requires replacement, first determine whether you have the original version of the drum drawer by locating a bar code label with a part number of RG5-3315 on the inside of the drum drawer cover, just to the right of the fan cover. If you have the original version of the drum drawer, order kit part number **RG5-5230-000CN** to obtain the newer version of the drum drawer assembly, drum drawer cover, plus additional hardware required to complete the update. If the newer version of the drum drawer is already installed, simply order the replacement drum drawer cover (RG5-5232-000CN).



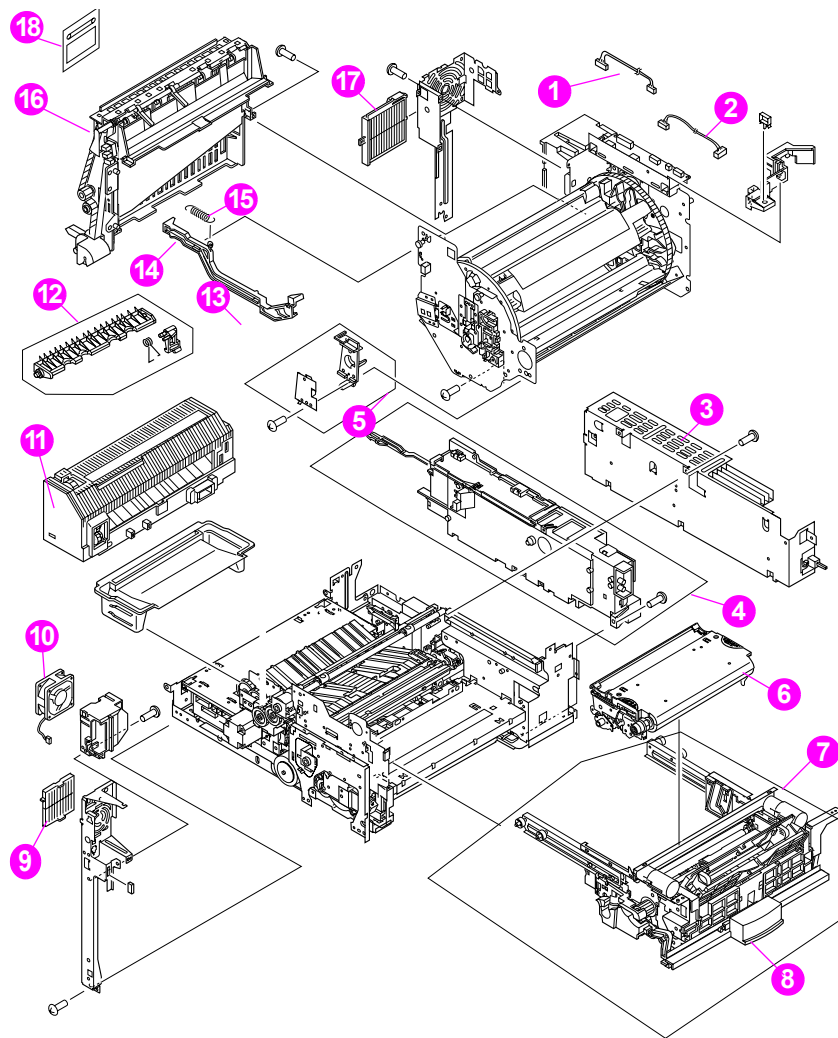
**Figure 8-5** Top cover assembly

**Table 8-5** Top cover components

Ref.	Description	Qty.	Parts for 4500 series s/n xxG... and below	Parts for 4500 series s/n xxH... and above	Parts for 4550 series
1	Cover, top	1	RG5-3300-000CN	RG5-5150-000CN	RG5-5150-000CN
2	Cover, toner access	1	RF5-2076-000CN	RF5-3137-000CN	RF5-3137-000CN

**CAUTION**

Two versions of the HP Color LaserJet 4500 series printers are available. Before ordering parts, you will need to identify which printer version you are servicing. For more information, see page 329. The 4550 series has some different service parts from the 4500 series.



**Figure 8-6** Internal components (1 of 3)

**Table 8-6** Internal components (1 of 3)

Ref.	Description	Qty.	Parts for 4500 series xxG... and below	Parts for 4500 series xxH... and above	Parts for 4550 series
1	Cable, fan	1	RG5-3887-000CN	N/A	N/A
2	Cable, developer	1	RG5-3783-000CN	RG5-5187-000CN	RG5-5187-000CN
3	Power supply, 110V	1	RH3-2219-000CN	RH3-2219-000CN	RH3-2219-000CN
3	Power supply, 220V	1	RH3-2220-000CN	RH3-2220-000CN	RH3-2220-000CN
4	High-voltage power supply	1	RG5-3285-000CN	RG5-5165-000CN	RG5-5165-000CN
5	Strap, cover support	1	RB2-1556-000CN	RB2-1556-000CN	RB2-1556-000CN
6	ITB assembly	1	RG5-5173-060CN	RG5-5173-060CN	RG5-5173-060CN
7	ITB drawer assembly	1	RG5-5120-100CN	RG5-5120-100CN	RG5-5120-100CN
8	Handle, ITB drawer	1	RB2-1361-000CN	RB2-1361-000CN	RB2-1361-000CN
9	Filter, air (small)	1	RB2-1283-000CN	RB2-1283-000CN	RB2-1283-000CN
10	Fan, small	1	RH7-1407-000CN	RH7-1407-000CN	RH7-1407-000CN
11	Fuser, 110V	1	RG5-5154-050CN C4084-69002*	RG5-5154-050CN C4084-69002*	RG5-5154-050CN C4084-69002*



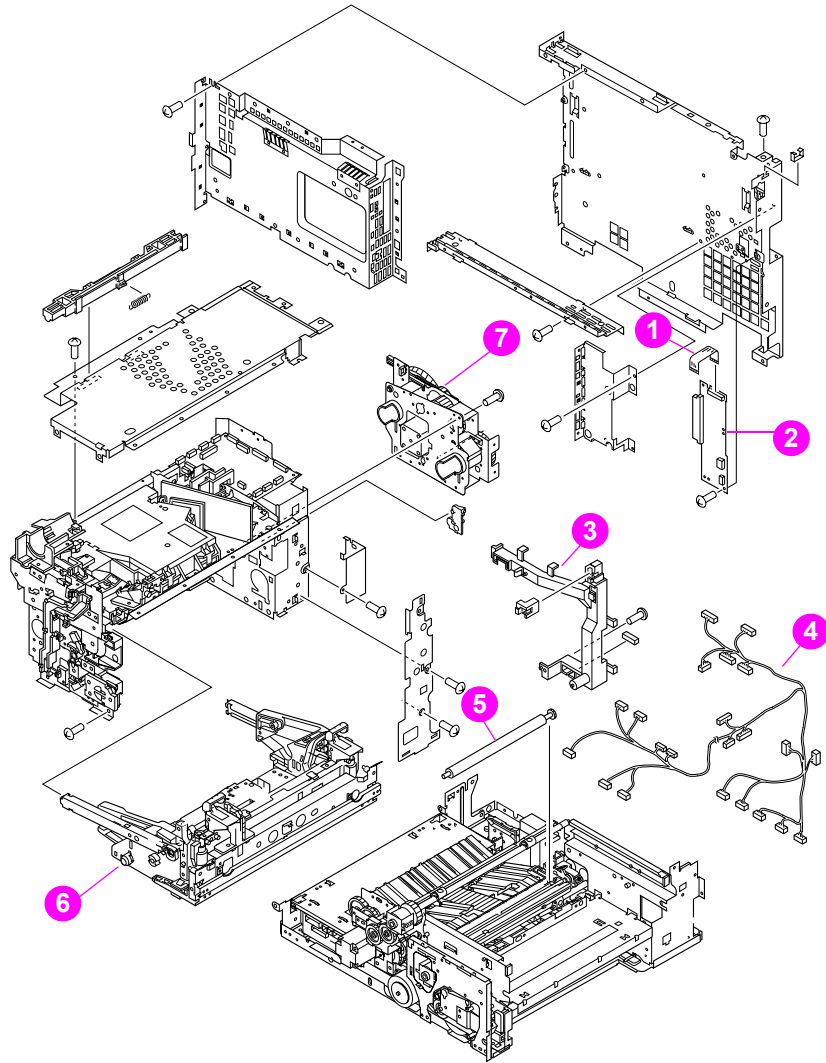
**Table 8-6 Internal components (1 of 3) (continued)**

Ref.	Description	Qty.	Parts for 4500 series xxG... and below	Parts for 4500 series xxH... and above	Parts for 4550 series
11	Fuser, 220V	1	RG5-5155-050CN C4084-69003*	RG5-5155-050CN C4084-69003*	RG5-5155-050CN C4084-69003*
12	Kit, Fuser Deflector	1	C4084-67906	C4084-67906	C4084-67906
13	Drum bushing assembly	1	RG5-5169-000CN	RG5-5169-000CN	RG5-5169-000CN
14	Rod, delivery	1	RB2-1284-000CN	RB2-1284-000CN	RB2-1284-000CN
15	Spring, tension	1	RS5-2754-000CN	RS5-2754-000CN	RS5-2754-000CN
16	Face-down delivery assembly	1	RG5-5135-000CN	RG5-5135-000CN	RG5-5135-000CN
17	Filter, air (large)	1	RB2-1282-000CN	RB2-1282-000CN	RB2-1282-000CN
18	Flapper guide assembly	1	RG5-5251-000CN	RG5-5251-000CN	RG5-5251-000CN

\*These parts require exchange

**CAUTION**

Two versions of the HP Color LaserJet 4500 series printers are available. Before ordering parts, you will need to identify which printer version you are servicing. For more information, see page 329. The 4550 series has some different service parts from the 4500 series.



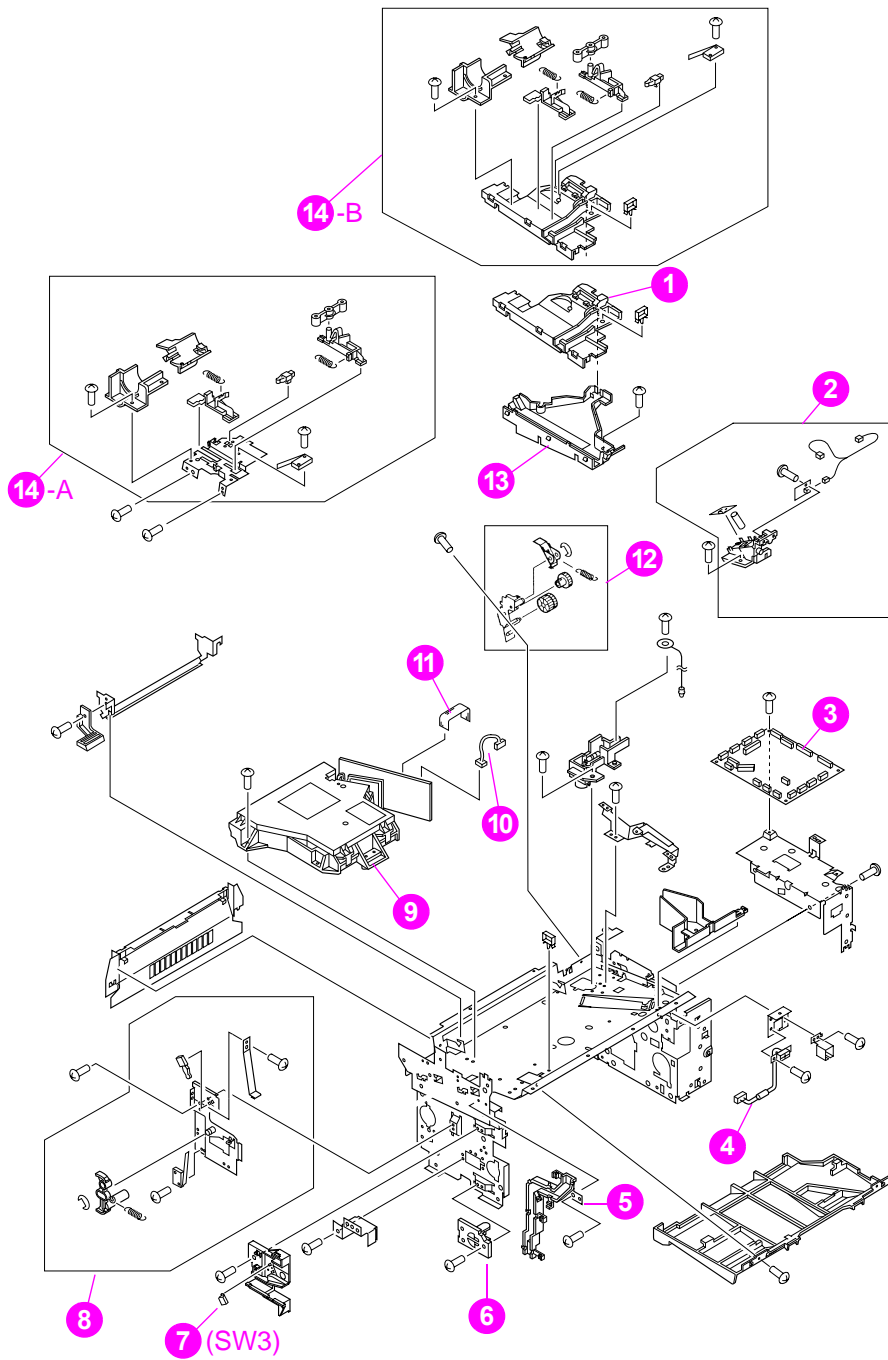
**Figure 8-7** Internal components (2 of 3)

**Table 8-7** Internal components (2 of 3)

Ref.	Description	Qty.	Parts for 4500 series xxG... and below	Parts for 4500 series xxH... and above	Parts for 4550 series
1	Cable, video interface	1	RH2-5335-000CN	RH2-5335-000CN	RH2-5335-000CN
2	Interconnect PCB	1	RG5-3808-000CN	RG5-3808-000CN	RG5-3808-000CN
3	Guide, cable	1	RB2-1277-000CN	RB2-1277-000CN	RB2-1277-000CN
4	Cable, main	1	RG5-3781-000CN	RG5-5186-000CN	RG5-5186-000CN
5	Roller, transfer	1	RF5-2112-000CN	RF5-2112-000CN	RF5-2112-000CN
6	Drum drawer assembly	1	RG5-5230-000CN	RG5-5142-050CN	RG5-5142-050CN
7	Drum drive assembly	1	RG5-5206-000CN	RG5-5206-000CN	RG5-5206-000CN

**CAUTION**

Two versions of the HP Color LaserJet 4500 series printers are available. Before ordering parts, you will need to identify which printer version you are servicing. For more information, see page 329. The 4550 series has some different service parts from the 4500 series.



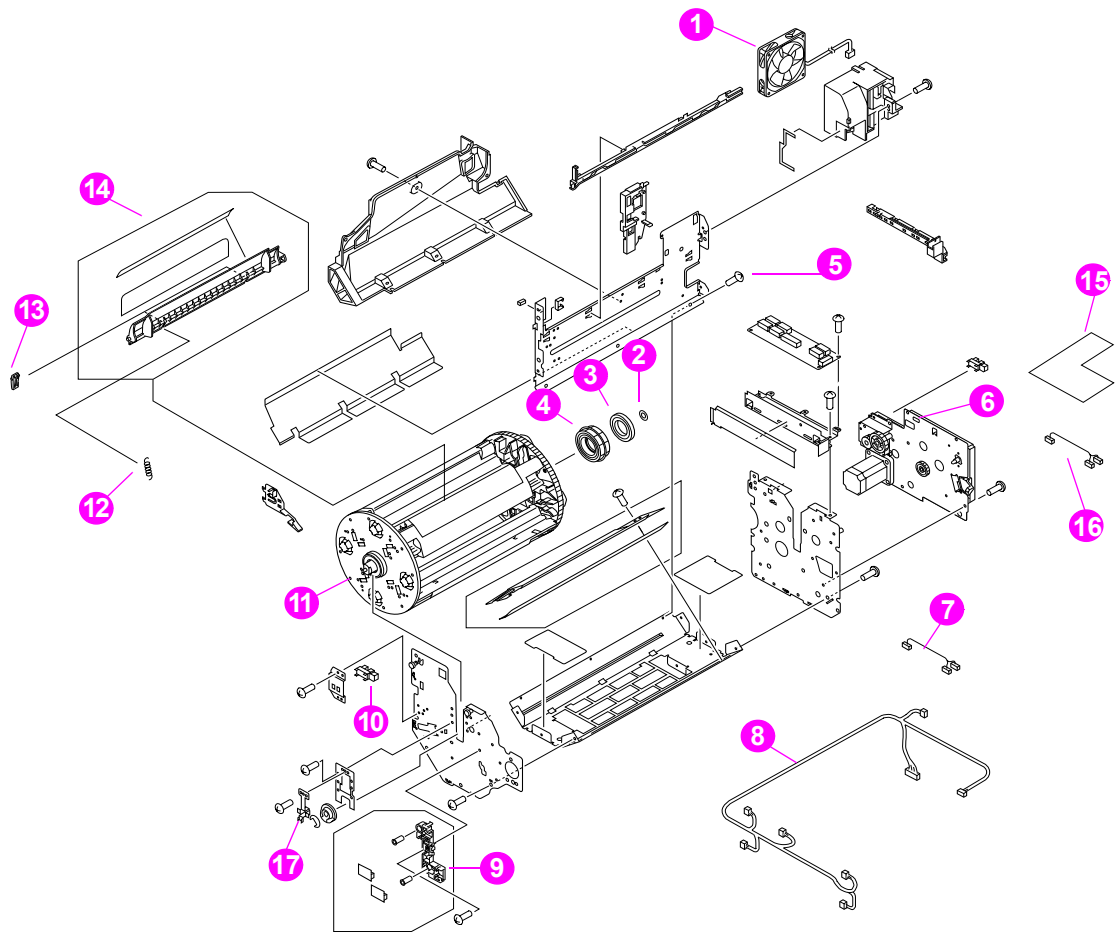
**Figure 8-8** Internal components (3 of 3)

**Table 8-8 Internal components (3 of 3)**

Ref.	Description	Qty.	Parts for 4500 series xxG... and below	Parts for 4500 series xxH... and above	Parts for 4550 series
1	Guide, upper drum drawer cable	1	RB2-1457-000CN	(included in 14B)	(included in 14B)
2	Sensor, waste toner (PS13)	1	RG5-3292-000CN	RG5-3292-000CN	RG5-3292-000CN
3	DC controller PCB	1	RG5-3809-000CN	RG5-5254-000CN	RG5-5254-000CN
4	Cable, fan	1	RG5-4650-000CN	RG5-4650-000CN	RG5-4650-000CN
5	Cover, cable	1	RB2-1180-000CN	RB2-1180-000CN	RB2-1180-000CN
6	Bushing, ITB left	1	RB2-1158-000CN	RB2-5185-000CN	RB2-5185-000CN
7	Microswitch	1	WC2-5330-000CN	WC2-5330-000CN	WC2-5330-000CN
8	Drawer switch assembly	1	RG5-3296-030CN	RG5-3296-030CN	RG5-3296-030CN
9	Laser/scanner assembly	1	RG5-5175-000CN	RG5-5175-000CN	RG5-5175-000CN
10	Cable, laser	1	RG5-3782-000CN	RG5-3782-000CN	RG5-3782-000CN
11	Cable, laser (flat)	1	RH2-5400-000CN	RH2-5400-000CN	RH2-5400-000CN
12	Carousel brake assembly	1	RG5-3309-000CN	RG5-5163-000CN	RG5-5163-000CN
13	Guide, cable, lower	1	RB2-1456-000CN	RB2-1456-000CN	RB2-1456-000CN
14A/B	Door switch assembly	1	RG5-5170-000CN	RG5-5170-000CN	RG5-5170-000CN

**CAUTION**

Two versions of the HP Color LaserJet 4500 series printers are available. Before ordering parts, you will need to identify which printer version you are servicing. For more information, see page 329. The 4550 series has some different service parts from the 4500 series.



**Figure 8-9** Developing carousel assembly

**Table 8-9 Developing carousel assembly**

Ref.	Description	Qty.	Parts for 4500 series xxG... and below	Parts for 4500 series xxH... and above	Parts for 4550 series
1	Fan, large	1	RH7-1346-000CN	RH7-1435-000CN	RH7-1435-000CN
2	Spacer	1	RS5-6210-000CN	RS5-6210-000CN	RS5-6210-000CN
3	Bearing, carousel	1	XG9-0361-000CN	XG9-0361-000CN	XG9-0361-000CN
4	Gear, 125T	1	RS6-0176-000CN	RS6-0176-000CN	RS6-0176-000CN
5	Developing PCB	1	RG5-3811-000CN	RG5-5180-000CN	RG5-5180-000CN
6	Carousel drive assembly	1	RG5-5209-000CN	RG5-5209-000CN	RG5-5209-000CN
7	Cable, fusing connector	1	RG5-3886-000CN	RG5-3886-000CN	RG5-3886-000CN
8	Cable, rotary	1	RG5-3795-000CN	RG5-3795-000CN	RG5-3795-000CN
9	Sensor (PS12), toner level	1	RG5-3355-000CN	RG5-3355-000CN	RG5-3355-000CN
10	Sensor (PS10), carousel position	1	WG8-5362-000CN	WG8-5362-000CN	WG8-5362-000CN
11	Carousel assembly	1	RG5-5249-000CN	RG5-5249-000CN	RG5-5249-000CN
12	Spring, toner flap	2	RS5-2739-000CN	RS5-2739-000CN	RS5-2739-000CN
13	Cap, toner flap	2	RB2-0964-000CN	N/A	N/A
14	Kit, carousel flap	1	C4084-67907	C4084-67909	C4084-67909
15	Toner level sensing PCB	1	N/A	N/A	RG5-5247-000CN
16	Toner level sensing cable	1	N/A	N/A	RG5-5444-000CN
17	Grounding spring	1	RB2-0981-000CN	RB2-0981-000CN	RB2-0981-000CN

**CAUTION**

Two versions of the HP Color LaserJet 4500 series printers are available. Before ordering parts, you will need to identify which printer version you are servicing. For more information, see page 329. The 4550 series has some different service parts from the 4500 series.

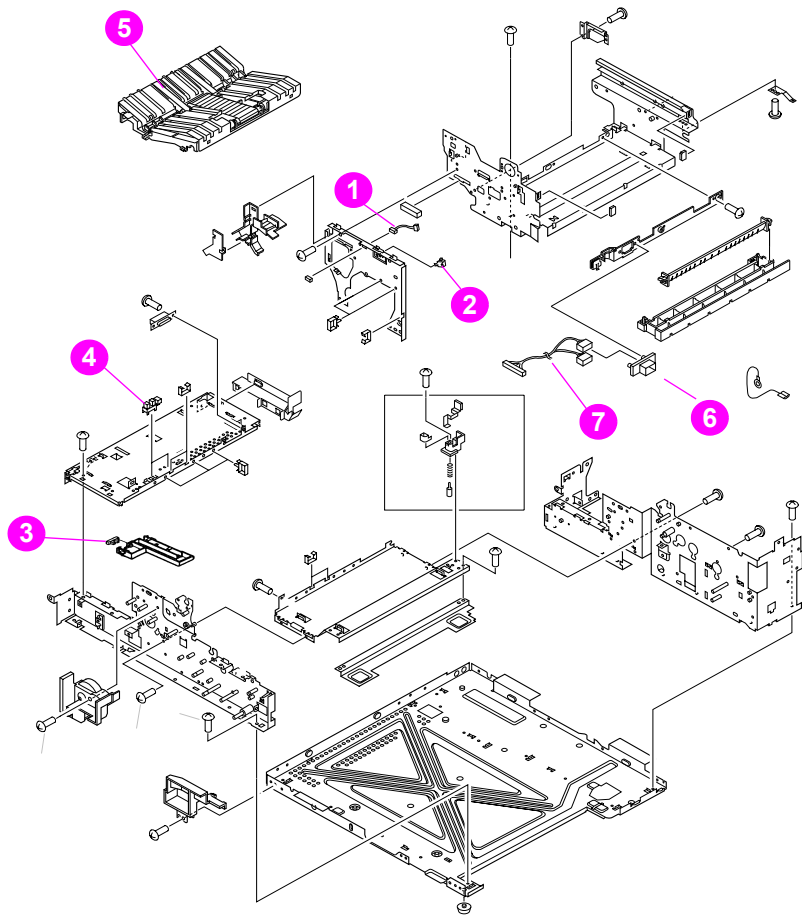
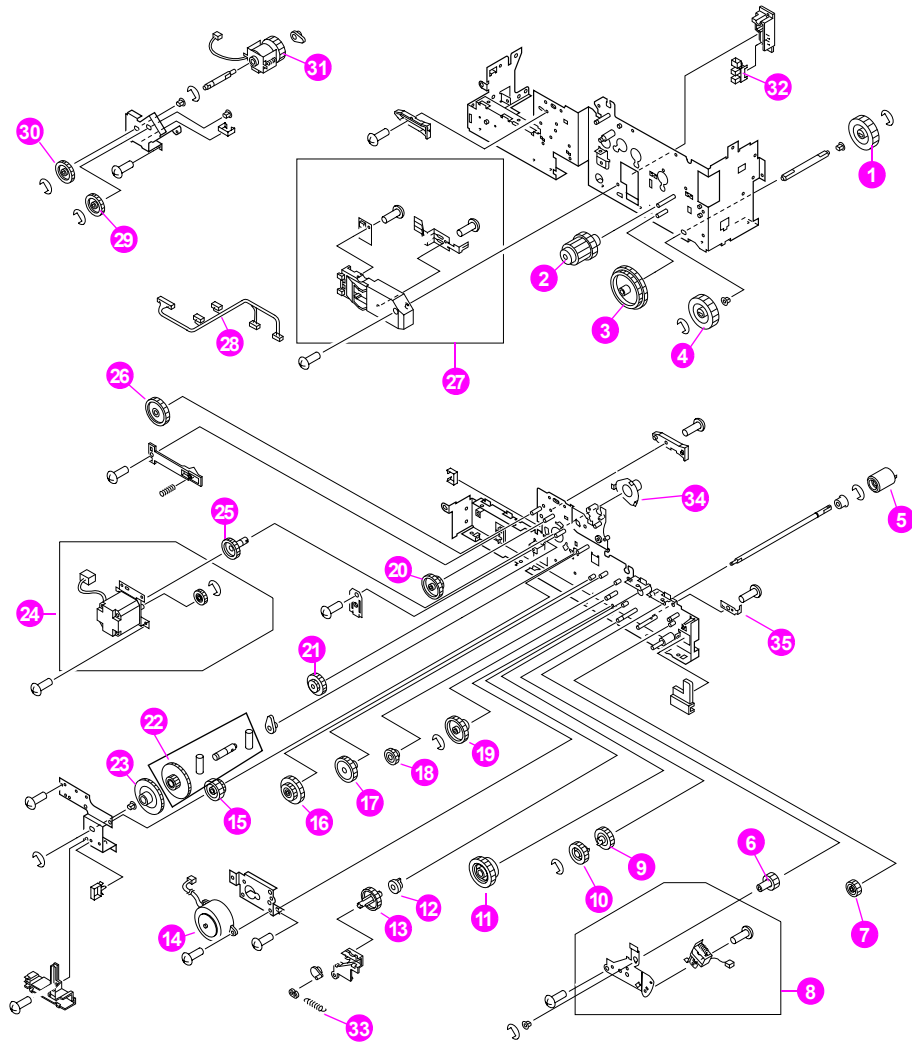


Figure 8-10 Paper pick-up assembly (1 of 3)

**Table 8-10 Paper pick-up assembly (1 of 3)**

<b>Ref.</b>	<b>Description</b>	<b>Qty.</b>	<b>Parts for 4500 series xxG... and below</b>	<b>Parts for 4500 series xxH... and above</b>	<b>Parts for 4550 series</b>
1	Cable, ITB switch	1	RG5-4651-000CN	RG5-4651-000CN	RG5-4651-000CN
2	Microswitch, ITB	1	WC2-5330-000CN	WC2-5330-000CN	WC2-5330-000CN
3	Sensor (PS7), delivery paper		FH7-7313-000CN	FH7-7313-000CN	FH7-7313-000CN
4	Sensor (PS6), fusing unit pressure release	1	WG8-5309-000CN	WG8-5309-000CN	WG8-5309-000CN
5	Feeder assembly	1	RG5-3226-000CN	RG5-5117-000CN	RG5-5117-000CN
6	ITB drawer connector	1	VS1-6174-014CN	VS1-6174-014CN	VS1-6174-014CN
7	ITB cable	1	RG5-3786-000CN	RG5-3786-000CN	RG5-3786-000CN





**Figure 8-11 Paper pick-up assembly (2 of 3)**

**Table 8-11 Paper pick-up assembly (2 of 3)**

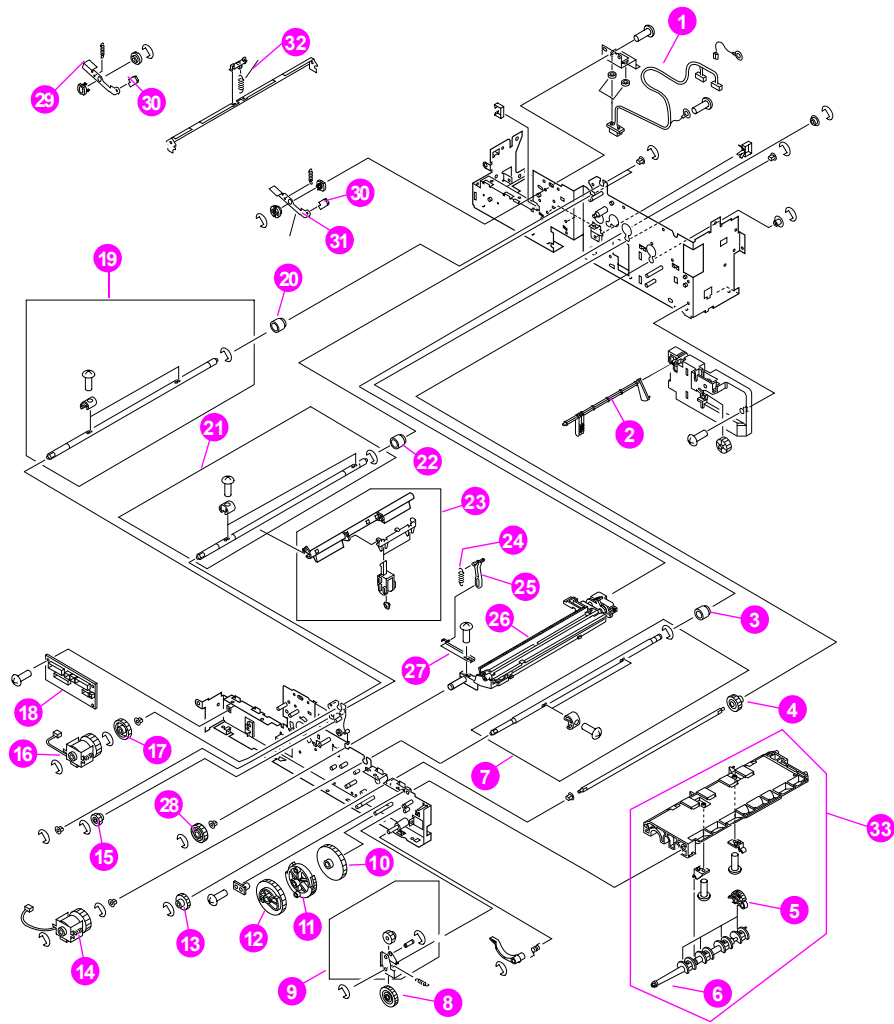
Ref.	Description	Qty.	Parts for 4500 series xxG... and below	Parts for 4500 series xxH... and above	Parts for 4550 series
1	Gear, 17T	2	RS6-0158-000CN	RS6-0158-000CN	RS6-0158-000CN
2	Gear, 18T/14T	1	RS6-0157-000CN	RS6-0157-000CN	RS6-0157-000CN
3	Gear, 53T/46T	1	RS6-0156-000CN	RS6-0156-000CN	RS6-0156-000CN
4	Gear, 17T	1	RS6-0158-000CN	RS6-0158-000CN	RS6-0158-000CN
5	Roller	1	RF5-2092-000CN	RF5-2092-000CN	RF5-2092-000CN
6	Gear, 18T	1	RS6-0140-000CN	RS6-0140-000CN	RS6-0140-000CN
7	Gear, 19T	1	RS6-0141-000CN	RS6-0141-000CN	RS6-0141-000CN
8	Solenoid, Tray 2 feed (SL2)	1	RG5-3245-000CN	RG5-5119-000CN	RG5-5119-000CN
9	Gear, 27T	1	RS6-0135-000CN	RS6-0135-000CN	RS6-0135-000CN
10	Gear, 27T	1	RS6-0135-000CN	RS6-0135-000CN	RS6-0135-000CN
11	Gear, 30T/16T	1	RS6-0134-000CN	RS6-0134-000CN	RS6-0134-000CN
12	Bushing	2	RS5-1293-000CN	RS5-1293-000CN	RS5-1293-000CN

**Table 8-11 Paper pick-up assembly (2 of 3) (continued)**

Ref.	Description	Qty.	Parts for 4500 series xxG... and below	Parts for 4500 series xxH... and above	Parts for 4550 series
13	Gear, 31T	1	RS6-0136-000CN	RS6-0136-000CN	RS6-0136-000CN
14	Motor (M2), pick-up	1	RH7-1343-000CN	RH7-1343-000CN	RH7-1343-000CN
15	Gear, 47T	1	RS6-0147-000CN	RS6-0147-000CN	RS6-0147-000CN
16	Gear, 24T/37T	1	RS6-0163-000CN	RS6-0163-000CN	RS6-0163-000CN
17	Gear, 35T	1	RS6-0132-000CN	RS6-0132-000CN	RS6-0132-000CN
18	Gear, 20T	1	RS6-0138-000CN	RS6-0138-000CN	RS6-0138-000CN
19	Gear, 37T/14T	1	RS6-0133-000CN	RS6-0133-000CN	RS6-0133-000CN
20	Gear, 34T/15T	1	RS6-0144-000CN	RS6-0144-000CN	RS6-0144-000CN
21	Gear, 29T/17T	1	RS6-0145-000CN	RS6-0145-000CN	RS6-0145-000CN
22	Gear assembly, 18T/52T	1	RF5-2161-000CN	RF5-2161-000CN	RF5-2161-000CN
23	Gear, 52T	1	RS6-0146-000CN	RS6-0146-000CN	RS6-0146-000CN
24	Motor (M1), fusing assembly	1	RG5-3227-000CN	RG5-3227-000CN	RG5-3227-000CN
25	Gear, 26T	1	RS6-0149-000CN	RS6-0149-000CN	RS6-0149-000CN
26	Gear, 37T	1	RS6-0143-000CN	RS6-0143-000CN	RS6-0143-000CN
27	Sensor, paper size	1	RG5-3234-000CN	RG5-3234-000CN	RG5-3234-000CN
28	Cable, paper feed	1	RG5-3785-000CN	RG5-3785-000CN	RG5-3785-000CN
29	Gear, 29T	1	RS6-0150-000CN	RS6-0150-000CN	RS6-0150-000CN
30	Gear, 29T	1	RS6-0150-000CN	RS6-0150-000CN	RS6-0150-000CN
31	Clutch (CL2), electromagnetic	1	RH7-5176-000CN	RH7-5176-000CN	RH7-5176-000CN
32	Sensor (PS8), cassette paper	1	WG8-5309-000CN	WG8-5309-000CN	WG8-5309-000CN
33	Spring, Tray 2 pickup tension	1	RS5-2794-000CN	RS5-2794-000CN	RS5-2794-000CN
34	Cone	1	RS5-1341-000CN	RS5-1341-000CN	RS5-1341-000CN
35	Metal tab, tray 2	1	RB2-0593-000CN	RB2-0593-000CN	RB2-0593-000CN

**CAUTION**

Two versions of the HP Color LaserJet 4500 series printers are available. Before ordering parts, you will need to identify which printer version you are servicing. For more information, see page 329. The 4550 series has some different service parts from the 4500 series.



**Figure 8-12 Paper pick-up assembly (3 of 3)**

**Table 8-12 Paper pick-up assembly (3 of 3)**

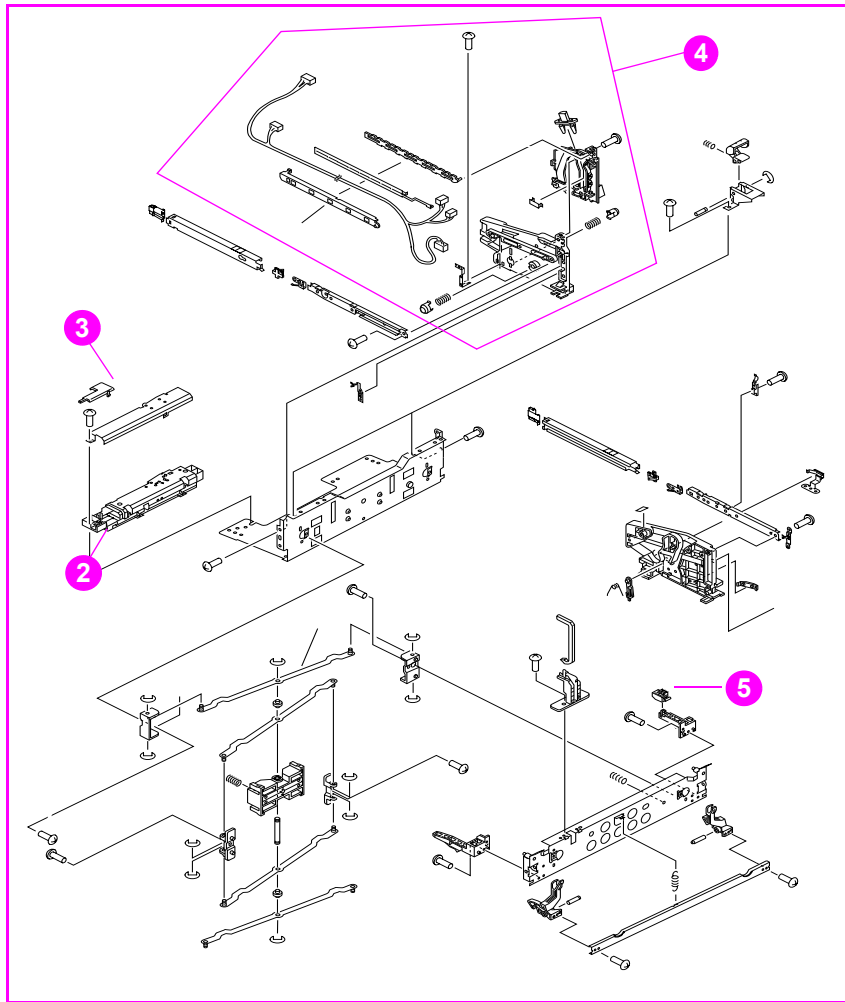
Ref.	Description	Qty.	Parts for 4500 series xxG... and below	Parts for 4500 series xxH... and above	Parts for 4550 series
1	Cable, fusing/option	1	RG5-3787-000CN	RG5-3787-000CN	RG5-3787-000CN
2	Lever, sensor	1	RB2-0576-000CN	RB2-0576-000CN	RB2-0576-000CN
3	Clutch, one-way	1	RB2-0572-000CN	RB2-0572-000CN	RB2-0572-000CN
4	Gear, 18T	1	RS6-0139-000CN	RS6-0139-000CN	RS6-0139-000CN
5	Roller, paper pick	4	RB1-8865-000CN	RB1-8865-000CN	RB1-8865-000CN
6	Shaft, paper pick	1	RB2-0545-000CN	RB2-0545-000CN	RB2-0545-000CN
7	Transfer cam assembly	1	RG5-3240-000CN	RG5-5118-000CN	RG5-5118-000CN
8	Gear, 26T/18T	1	RS6-0137-000CN	RS6-0137-000CN	RS6-0137-000CN
9	Gear assembly	1	RG5-3228-000CN	RG5-3228-000CN	RG5-3228-000CN
10	Gear, 53T	1	RS6-0155-000CN	RS6-0155-000CN	RS6-0155-000CN
11	Gear, 39T/31T	1	RS6-0154-000CN	RS6-0154-000CN	RS6-0154-000CN
12	Gear, 49T	1	RS6-0153-000CN	RS6-0153-000CN	RS6-0153-000CN
13	Gear, 18T	1	RS6-0139-000CN	RS6-0139-000CN	RS6-0139-000CN

**Table 8-12 Paper pick-up assembly (3 of 3) (continued)**

Ref.	Description	Qty.	Parts for 4500 series xxG... and below	Parts for 4500 series xxH... and above	Parts for 4550 series
14	Clutch (CL4), electromagnetic	1	RH7-5180-000CN	RH7-5180-000CN	RH7-5180-000CN
15	Gear, 16T	1	RS6-0151-000CN	RS6-0151-000CN	RS6-0151-000CN
16	Clutch (CL3), electromagnetic	1	RH7-5178-000CN	RH7-5178-000CN	RH7-5178-000CN
17	Gear, 29T	1	RS6-0152-000CN	RS6-0152-000CN	RS6-0152-000CN
18	Paper feed PCB assembly	1	RG5-3810-000CN	RG5-3810-000CN	RG5-3810-000CN
19	ICL cam assembly	1	RG5-3242-000CN	RG5-3242-000CN	RG5-3242-000CN
20	Clutch, one-way	1	RB2-0561-000CN	RB2-0561-000CN	RB2-0561-000CN
21	ITB cam assembly	1	RG5-3241-000CN	RG5-3241-000CN	RG5-3241-000CN
22	Clutch, one-way	1	RB2-0561-000CN	RB2-0561-000CN	RB2-0561-000CN
23	Rowel swing assembly	1	RG5-4696-000CN	RG5-4696-000CN	RG5-4696-000CN
24	Spring tension	1	RS5-2800-000CN	RS5-2800-000CN	RS5-2800-000CN
25	Link rowel	1	RB2-0614-000CN	RB2-0614-000CN	RB2-0614-000CN
26	Transfer assembly, secondary	1	RG5-3235-000CN	RG5-5115-040CN	RG5-5115-040CN
27	Plate support	1	RF5-3124-000CN	(included in #26)	(included in #26)
28	Gear, 26T	1	RS6-0159-000CN	RS6-0159-000CN	RS6-0159-000CN
29	Plate, left	1	RF5-2094-000CN	RF5-2094-000CN	RF5-2094-000CN
30	Cover, plate	2	RB2-1572-000CN	RB2-1572-000CN	RB2-1572-000CN
31	Plate, right	1	RF5-2095-000CN	RF5-2095-000CN	RF5-2095-000CN
32	Spring	1	RS5-2799-000CN	RS5-2799-000CN	RS5-2799-000CN
33	D roller assembly	1	RG5-3225-040CN	RG5-3225-040CN	RG5-3225-040CN

**CAUTION**

Two versions of the HP Color LaserJet 4500 series printers are available. Before ordering parts, you will need to identify which printer version you are servicing. For more information, see page 329. The 4550 series has some different service parts from the 4500 series.



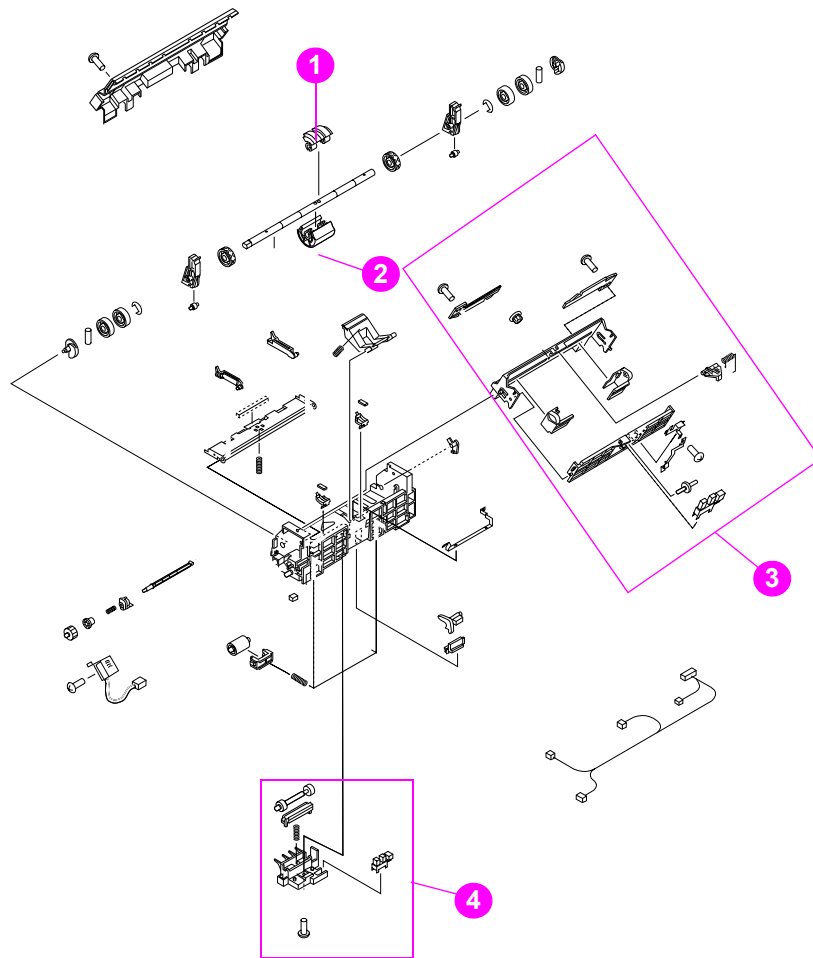
**Figure 8-13** Upper drawer assembly

**Table 8-13** Upper drawer assembly

Ref.	Description	Qty.	Parts for 4500 series xxG... and below	Parts for 4500 series xxH... and above	Parts for 4550 series
1	Drum drawer assembly	1	RG5-5230-000CN	RG5-5142-050CN	RG5-5142-050CN
2	Sensor (PS14), density	1	RG5-3281-000CN	RG5-5149-000CN	RG5-5149-000CN
3	Cover, connector	1	RB2-0916-000CN	RB2-0916-000CN	RB2-0916-000CN
4	Connector assembly	1	RG5-5146-000CN	Rg5-5146-000CN	RG5-5146-000CN
5	Bushing, drum drawer	1	RB2-1130-000CN	RB2-1130-000CN	RB2-1130-000CN

**CAUTION**

Two versions of the HP Color LaserJet 4500 series printers are available. Before ordering parts, you will need to identify which printer version you are servicing. For more information, see page 329. The 4550 series has some different service parts from the 4500 series.



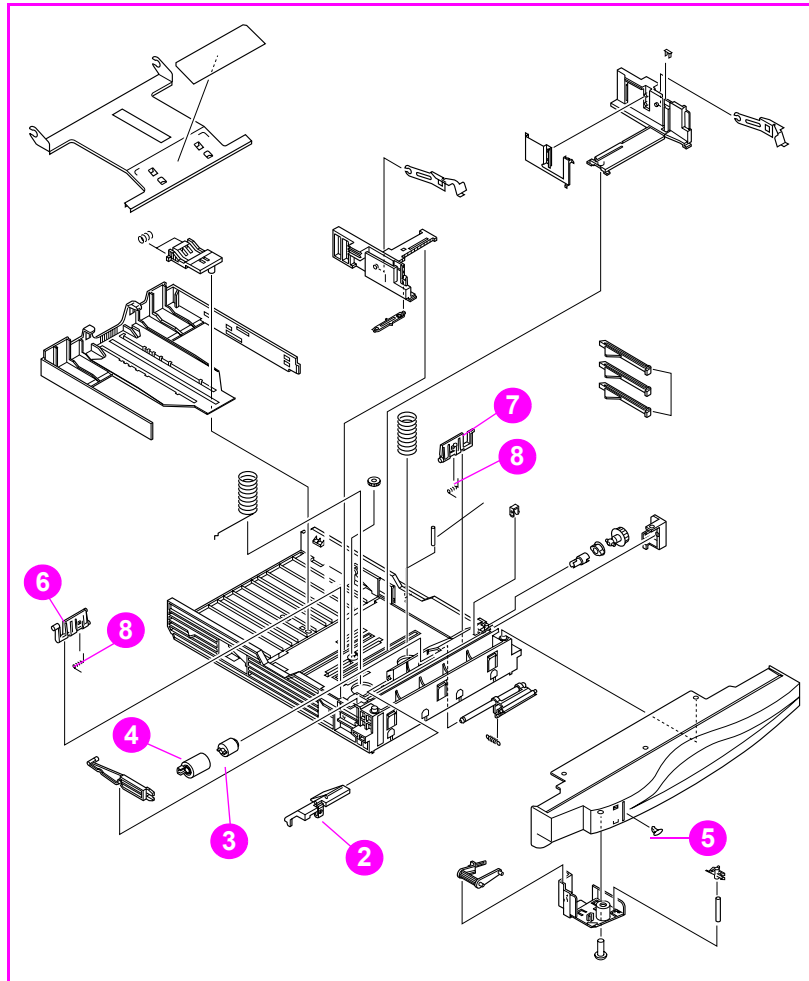
**Figure 8-14** MP tray paper pick-up assembly

**Table 8-14** MP tray paper pick-up assembly

Ref.	Description	Qty.	Parts for 4500 series xxG... and below	Parts for 4500 series xxH... and above	Parts for 4550 series
1	Roller	1	RB2-0717-000CN	RB2-0717-000CN	RB2-0717-000CN
2	Roller	1	RB2-0744-000CN	RB2-0744-000CN	RB2-0744-000CN
3	Sensor (PS3) assembly, last paper	1	RG5-5130-020CN	RG5-5130-020CN	RG5-5130-020CN
4	Sensor (PS4) assembly, multi-purpose tray paper	1	RG5-5129-000CN	RG5-5129-000CN	RG5-5129-000CN

**CAUTION**

Two versions of the HP Color LaserJet 4500 series printers are available. Before ordering parts, you will need to identify which printer version you are servicing. For more information, see page 329. The 4550 series has some different service parts from the 4500 series.



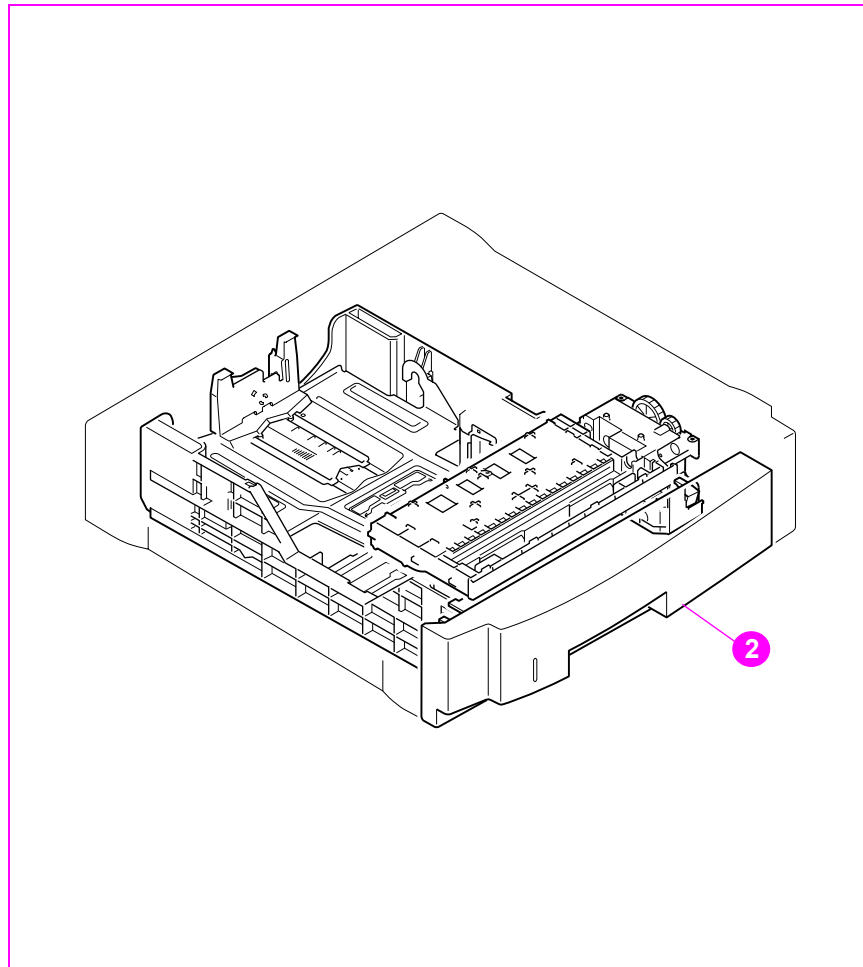
**Figure 8-15** 250-sheet cassette

**Table 8-15** 250-sheet cassette

Ref.	Description	Qty.	Parts for 4500 series xxG... and below	Parts for 4500 series xxH... and above	Parts for 4550 series
1	Cassette, 250-sheet	1	RG5-3400-210CN	RG5-3400-210CN	RG5-3400-210CN
2	Cover, roller	1	RB1-9001-000CN	RB1-9001-000CN	RB1-9001-000CN
3	Limiter, torque	1	RB1-8974-000CN	RB1-8974-000CN	RB1-8974-000CN
4	Roller, separation	1	RF5-1885-000CN	RF5-1885-000CN	RF5-1885-000CN
5	Indicator, paper level	1	RB1-9009-020CN	RB1-9009-020CN	RB1-9009-020CN
6	Arm, lifter, left	1	RB1-9012-000CN	RB1-9012-000CN	RB1-9012-000CN
7	Arm, lifter, right	1	RB1-9013-000CN	RB1-9013-000CN	RB1-9013-000CN
8	Spring, torsion	2	RB1-9016-000CN	RB1-9016-000CN	RB1-9016-000CN

**CAUTION**

Two versions of the HP Color LaserJet 4500 series printers are available. Before ordering parts, you will need to identify which printer version you are servicing. For more information, see page 329. The 4550 series has some different service parts from the 4500 series.



**Figure 8-16** 500-sheet paper feeder

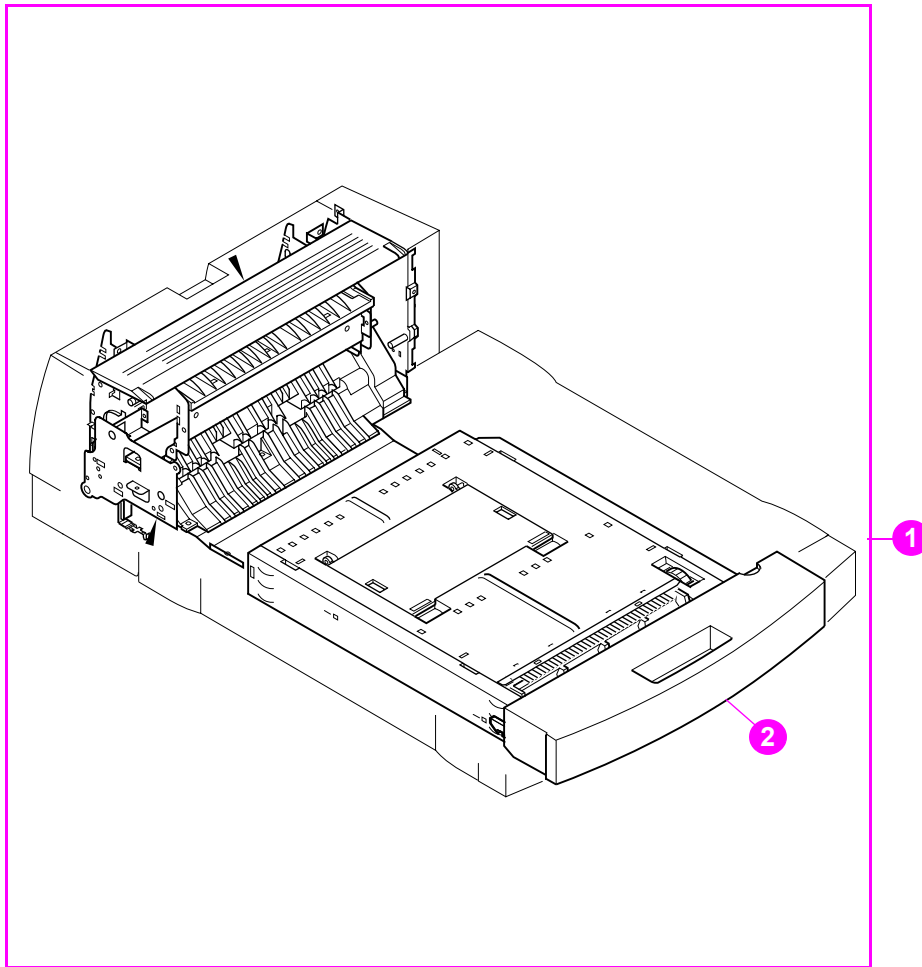
**Table 8-16** 500-sheet paper feeder

Ref.	Description	Qty.	Parts for 4500 series xxG... and below	Parts for 4500 series xxH... and above	Parts for 4550 series
1	500-sheet paper feeder	1	C4082-67901	C4082-67901	C4082-67901
2	500-sheet paper cassette	1	RG5-3900-000CN	RG5-3900-000CN	RG5-3900-000CN
	Roller, separation	1	RF5-1885-000CN	RF5-1885-000CN	RF5-1885-000CN

**CAUTION**

Two versions of the HP Color LaserJet 4500 series printers are available. Before ordering parts, you will need to identify which printer version you are servicing. For more information, see page 329. The 4550 series has some different service parts from the 4500 series.





**Figure 8-17** Duplex unit

**Table 8-17** Duplex unit

Ref.	Description	Qty.	Parts for 4500 series xxG... and below	Parts for 4500 series xxH... and above	Parts for 4550 series
1	Duplex unit	1	C4083-67901	C4083-67901	C4083-67901
2	Duplexing feeder assembly	1	RG5-4055-000CN	RG5-4055-000CN	RG5-4055-000CN

**CAUTION**

Two versions of the HP Color LaserJet 4500 series printers are available. Before ordering parts, you will need to identify which printer version you are servicing. For more information, see page 329.